



"innovation in its most functional form"

PRODUCT DATA SHEET

SG6™ SECURE-GRIP MECHANICAL FLANGE SPREADER

SPREADING FORCE:
80 ft/lbs (108Nm) = 6 T (60 kN) per tool
It is recommended that tools are used in pairs giving
2 x 6 = 12 T (120 kN)

SPREADING DISTANCE = 0-80mm (0-3.15")
TOOL WEIGHT = 7.5kg (16.5 lbs)

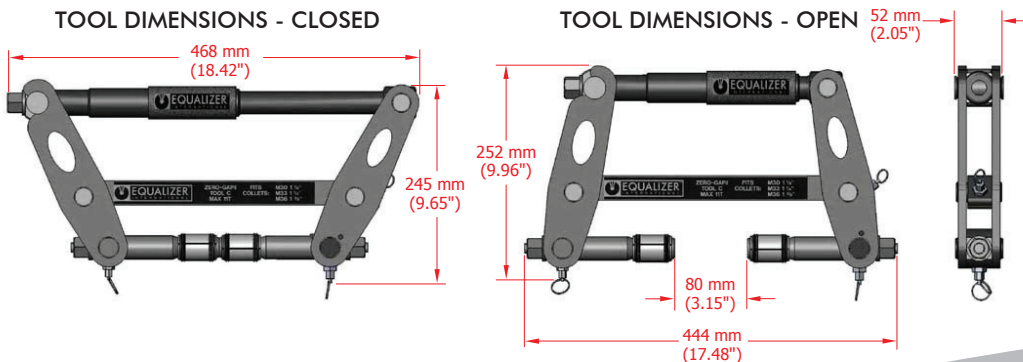
KIT COMPONENTS

- 1 x SG6™ Tool
 - 1 x 150mm (6") Vernier Calliper
 - 1 x 3/8" Drive Torque Wrench and 21 mm Socket
 - 1 x Safety Block
 - 2 x M24 (7/8") Collets
 - 2 x M27 (1") Collets
 - 1 x Instruction Manual
 - 1 x Carry Case with protective foam inserts
- Product Code: SG6™MSTD



WEIGHTS AND DIMENSIONS

Tool Weight	= 7.5 kg (16.5 lbs)	Carry Case Dimensions:
Case Weight	= 6 kg (13.2 lbs)	640 x 540 x 165mm (25.20" x 21.26" x 6.50")
Gross Weight	= 16 kg (35 lbs)	



info@equalizerinternational.com
www.equalizerinternational.com

RANGE OF APPLICATION

The SG6™ is usable on all standard flanges that have been specified to accept the following bolt sizes:

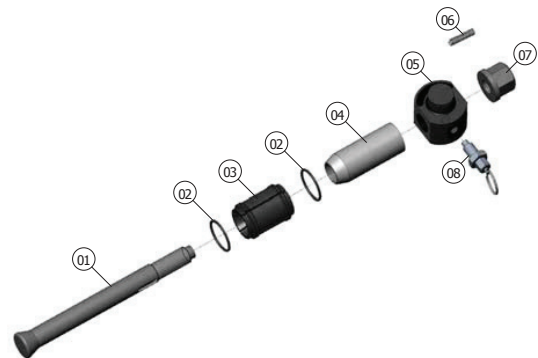
M24, M27, 7/8", 1"

This includes ANSI, DIN, SPO, ASME, API and BS flanges.

For a detailed range of application please request the Secure-Grip Mechanical Operator Instruction Manual.

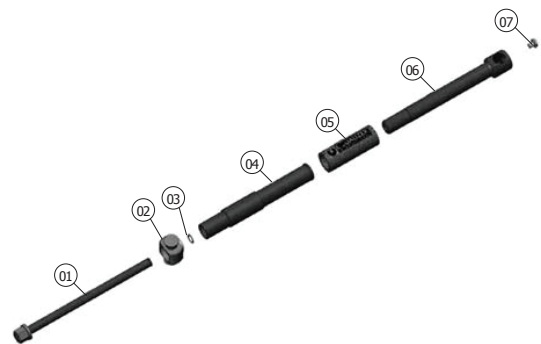
COLLET HEAD PARTS LIST AND EXPLODED DRAWING

ITEM	PART No.	DESCRIPTION	QUANTITY
01	620401-01	COLLET HOLDER	02 each
02	621001-01	M24 SPRING RING*	04 each
	621101-01	M27 SPRING RING*	04 each
03	620201-01	M24 COLLET*	02 each
	620301-01	M27 COLLET*	02 each
04	620501-01	DRIVE CONE	02 each
05	620601-01	COLLET UNION	02 each
06	620701-01	CENTRING SPRING 1	02 each
07	620801-01	COLLET NUT	02 each
08	632001-01	COLLET SPRING PLUNGER*	02 each



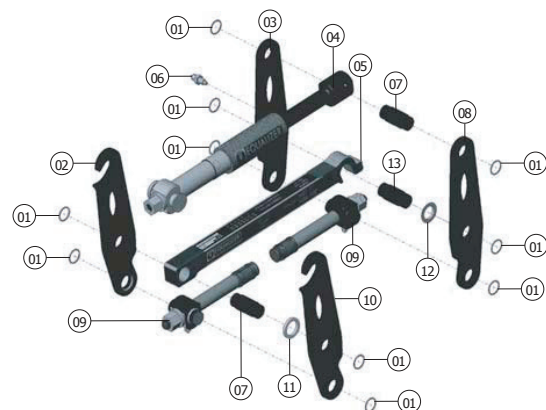
ACTUATOR PARTS LIST AND EXPLODED DRAWING

ITEM	PART No.	DESCRIPTION	QUANTITY
01	622201-01	ACTUATOR BOLT	01 each
02	622501-01	OPEN ACTUATOR UNION	01 each
03	623101-01	ACTUATOR RETAINING RING*	01 each
04	622701-01	ACTUATOR SLEEVE	01 each
05	632801-01	FOAM GRIP	01 each
06	622901-01	CLOSED ACTUATOR UNION	01 each
07	623001-01	ACTUATOR RETAINING BOLT	01 each



SG6™ PARTS LIST AND EXPLODED DRAWING

ITEM	PART No.	DESCRIPTION	QUANTITY
01	621501-01	CANTILEVER RETAINING RING*	10 each
02	621401-01	OPEN LEG R/H	01 each
03	621801-01	CLOSED LEG R/H	01 each
04		SEE ACTUATOR PARTS LIST	
05	622101-01	CANTILEVER	01 each
06	632001-01	CANTILEVER PLUNGER	01 each
07	621701-01	CANTILEVER PIN	02 each
08	621901-01	CLOSED LEG L/H	01 each
09		SEE COLLET HEAD PARTS LIST	
10	621301-01	OPEN LEG L/H	01 each
11	623401-01	CANTILEVER SPACER	01 each
12	623501-01	CANTILEVER WASHER	01 each
13	623601-01	HOOK PIN	01 each



* Items are supplied in Spares Kit Part No: 626060-01